

# THE HARBOUR

# THE BUNGALOWS AT HARBOUR LANDING

**1,381 SQ. FT**

**2 Bed | 2 Bath**

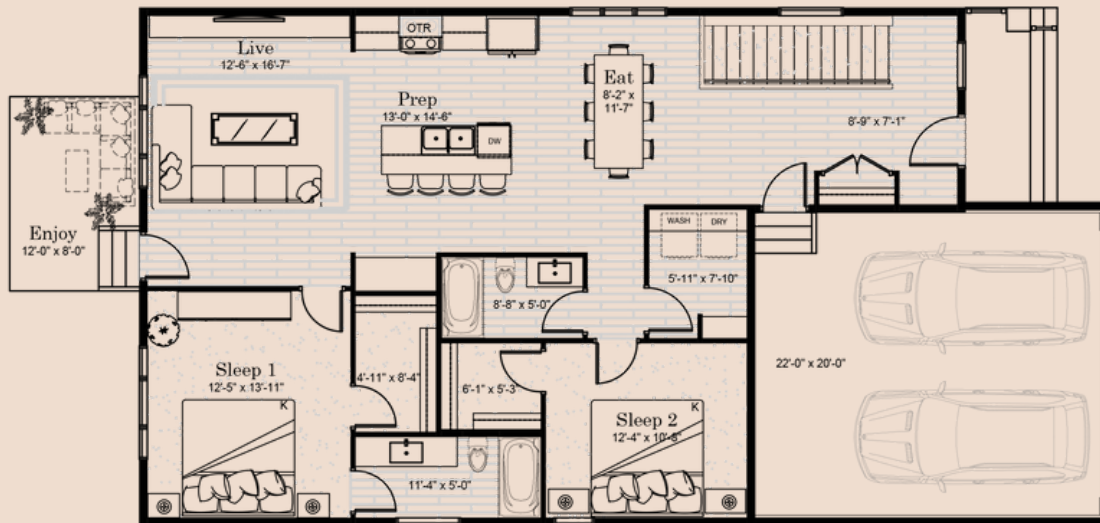
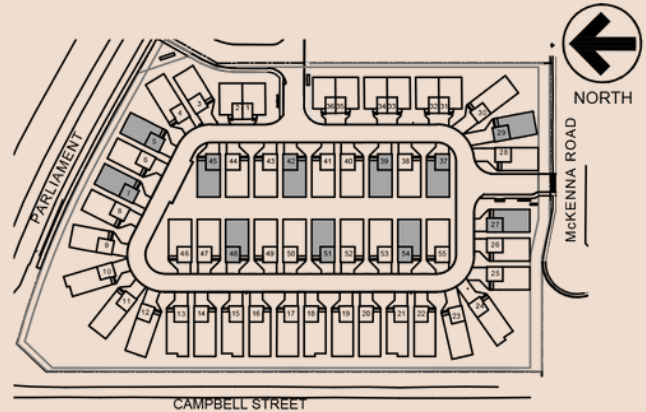
**FEATURES:**

Primary Ensuite & Walk-In Closet

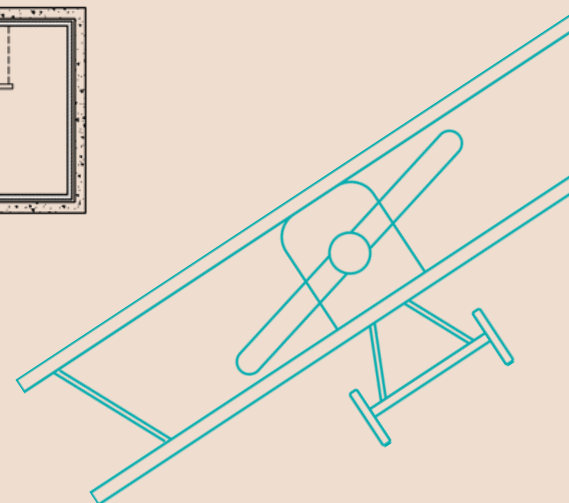
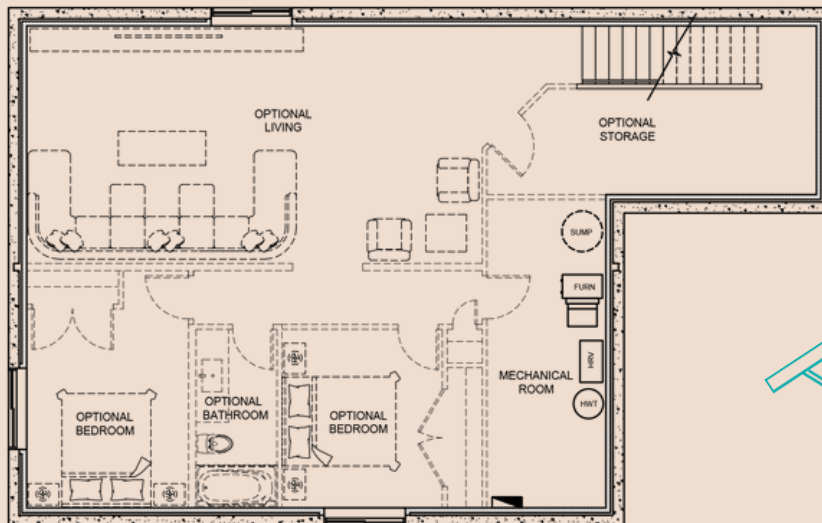
Attached Double Garage

12'x8' Concrete Patio

Finished Basement Option



LOWER LEVEL - OPTIONAL DEVELOPMENT



[THEBUNGALOWSREGINA.CA](http://THEBUNGALOWSREGINA.CA)

\*The developer reserves the right to change plans, specifications, features, materials, and dimensions without notice in its sole discretion. All renderings, colour schemes, floor plans, maps and displays are artists' conceptions and for illustration purposes only. See sales representative for full details. E&OE.